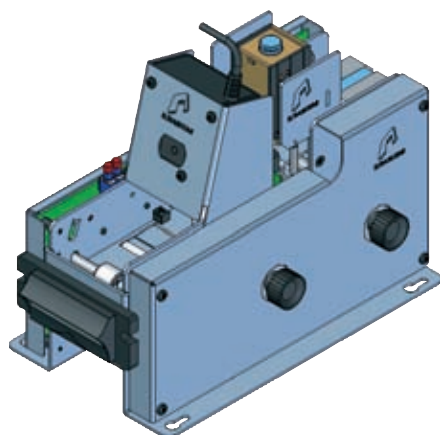




BTV – EL4000 SERIES - Barcode ticket validator



MAIN FEATURES

- Side frame supporting thermal printer module
- Stepping motor and photosensors ticket positioning
- Easy BAR CODE scanner module replacement
- In line or transverse BAR CODE detection options
- Universal code symbologies process capability
- Contactless Card management based on Mifare® standard ISO/IEC-14443A&B + ISO-15693
- Microprocessor based electronics
- SMD low consumption electronic circuits
- Communication by means of RS232/RS485 serial interface

TECHNICAL SPECIFICATIONS

OVERALL DESCRIPTION

- **Outline dimensions** : 160(H) x 210(L) x 124(W) mm
- **Weight** : 3 Kg (Approximately)
- **Electronics** : Specific PCB
- **Ticket motion** : Stepping motor
- **Transport method** : Rolls
- **Ticket Sensors** : Photosensors
- **Output interface** : RS232 / RS485
- **Power requirements** : +24V DC +/-10% 10A

THERMAL PRINTER

- **Printing method** : Thermal
- **Print Width** : 48 mm
- **Dot per line** : 384
- **Dot size** : 0.125 (X) * 0.130 (Y) mm (8 dots/mm)
- **Dot pitch** : 0.125 mm (8 dots/mm)
- **Head down movement** : By electromagnet
- **Force on print-line** : 1.5-2.0 Kg
- **Heat pulse life** : 1×10^8 pulses
- **Abrasion life** : 50 Km min.

TICKET SPECIFICATIONS

- **Paper** : Thermal paper
- **Length** : 85.60 mm
- **Width** : 53.98 mm
- **Thickness** : From 0.15 to 1 mm

ENVIRONMENTAL

- **Operating temperature:** From 0 to +50°C
- **Storage temperature:** From -20 to +60°C
- **Relative humidity:** From 20 to 80% (No condensation)