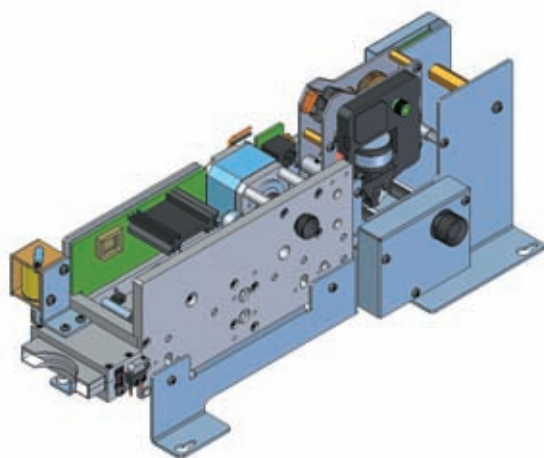




# TPM - EL3000 SERIES Toll payment machine



## MAIN FEATURES

- Side frame supporting printer and reader/encoder modules
- Stepping motor and photosensors ticket positioning
- Thermal printer or dot matrix printer options
- In line or transverse dot printer options
- Capability of processing rounded or bevelled ticket corner shape
- Punched holes or printed marks compatibility
- EL2000 reader/encoder module usage
- Microprocessor based electronics
- SMD low consumption electronic circuits
- Communication by means of RS232/RS485 serial interface

## TECHNICAL SPECIFICATIONS

### OVERALL DESCRIPTION

- **Outline dimensions** : 160(H) x 400(L) x 120(W) mm
- **Weight** : 3.5 Kg (Approximately)
- **Electronics** : EL2000 PCB plus a specific board
- **Ticket motion** : Stepping motor
- **Transport method** : Belt and rolls
- **Ticket Sensors** : Photosensors
- **Printer options** : Thermal or dot matrix
- **Output interface** : RS232 / RS485
- **Power requirements** : +24V DC +/-10% 3A

### TICKET SPECIFICATION

- **Length** : 85.60 mm to 120 mm
- **Width** : 53.98 mm
- **Thickness** : From 0.15 to 0.35 mm

### ENVIRONMENTAL

- **Operating temperature** : From 0 to +50°C
- **Storage temperature** : From -20 to +60°C
- **Relative humidity** : From 20 to 80%  
(No condensation)

### DOT MATRIX PRINTER

- **Printing method** : Dot matrix impact
- **Maximum frequency** : 1250 Hz
- **Dot per line** : 8
- **Dot diameter** : 0.3 mm
- **Font configuration** : User defined (Default 7 x 5)
- **Distance to platen** : From 0.3 to 0.5 mm
- **Print-wire life** : 250 millions of impacts per needle

### THERMAL PRINTER

- **Printing method** : Thermal dot line printing
- **Print Width** : 40 mm
- **Dot per line** : 320
- **Dot pitch** : 0.125 mm (8 dots/mm)
- **Head down movement** : By electromagnet
- **Font configuration** : User defined (Default 7 x 5)
- **Heat pulse life** : 1 x 10<sup>8</sup> pulses
- **Abrasion life** : 50 Km