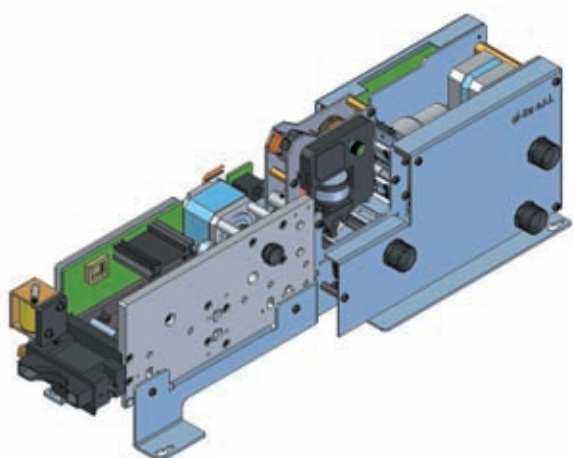




TIM - EL5000/6000 SERIES Ticket issuing machine



MAIN FEATURES

- Side frame supporting cutter, printer and reader/encoder modules
- Stepping motor and photosensors ticket positioning
- Thermal printer or dot matrix printer options
- Fan-folded pack or reel form handling
- Single or dual way dispenser configuration
- Capability of processing rounded or bevelled ticket corner shape
- Punched holes or printed marks compatibility
- Cutter blades with keen self-sharpening
- EL2000 reader/encoder module usage
- Ticket validation capability
- Microprocessor based electronics
- SMD low consumption electronic circuits
- Communication by means of RS232/RS485 serial interface

TECHNICAL SPECIFICATIONS

OVERALL DESCRIPTION

•Outline dimensions	: 160(H) x 470(L) x 120(W) mm
•Weight	: 5 Kg (Approximately)
•Electronics	: EL2000 PCB plus a specific board
•Dispenser configuration	: Single or dual strip
•Processing capability	: Fan-folded pack or reel
•Ticket generation	: Driven cutter with guillotining blade
•Cutter motion	: Geared motor
•Ticket motion	: Stepping motor
•Transport method	: Belt and rolls
•Ticket Sensors	: Photosensors
•Printer options	: Thermal or dot matrix
•Output interface	: RS232 / RS485
•Power requirements	: +24V DC +/-10% 3A

DOT MATRIX PRINTER

•Printing method	: Dot matrix impact
•Maximum frequency	: 1250 Hz
•Dot per line	: 8
•Dot diameter	: 0.3 mm
•Font configuration	: User defined (Default 7 x 5)
•Distance to platen	: From 0.3 to 0.5 mm
•Print-wire life	: 250 millions of impacts per needle

THERMAL PRINTER

•Printing method	: Thermal dot line printing
•Print Width	: 40 mm
•Dot per line	: 320
•Dot pitch	: 0.125 mm (8 dots/mm)
•Head down movement	: By electromagnet
•Font configuration	: User defined (Default 7 x 5)
•Heat pulse life	: 1 x 10 ⁸ pulses
•Abrasion life	: 50 Km

TICKET SPECIFICATION

•Length	: 85.60 mm (EL5000 series) 120 mm (EL6000 series)
•Width	: 53.98 mm
•Thickness	: From 0.15 to 0.35 mm

ENVIRONMENTAL

•Operating temperature	From 0 to +50°C
•Storage temperature	From -20 to +60°C
•Relative humidity	From 20 to 80% (No condensation)