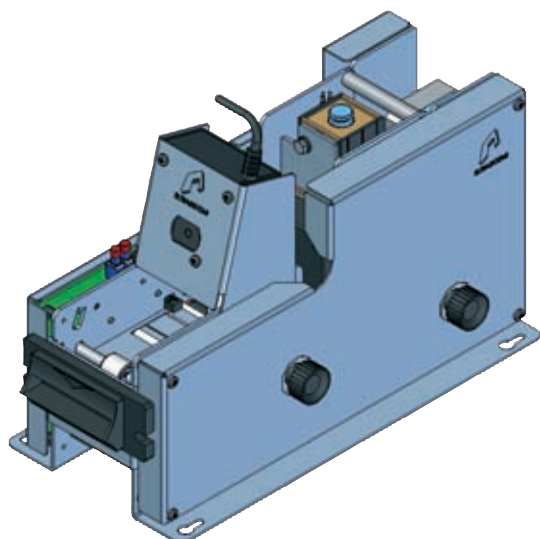




## BTD – EL9000 SERIES Barcode ticket dispenser



### MAIN FEATURES

- Side frame supporting cutter and thermal printer modules
- Stepping motor and photosensors ticket positioning
- Fan-folded pack or reel form handling
- Easy BAR CODE scanner module replacement
- Cutter blades with keen self-sharpening
- Ticket validation capability
- Contactless Card management based on Mifare® standard ISO/IEC-14443A&B + ISO-15693
- Microprocessor based electronics
- SMD low consumption electronic circuits
- Communication by means of RS232/RS485 serial interface

## TECHNICAL SPECIFICATIONS

### OVERALL DESCRIPTION

•Outline dimensions	: 142(H) x 255(L) x 124(W) mm
•Weight	: 3.5 Kg (Approximately)
•Electronics	: Specific PCB
•Processing capability	: Fan-folded pack or reel
•Ticket generation	: Driven cutter with guillotining blade
•Ticket motion	: Stepping motor
•Transport method	: Rolls
•Ticket Sensors	: Photosensors
•Output interface	: RS232 / RS485
•Power requirements	: +24V DC +/-10% 10A

### THERMAL PRINTER

•Printing method	: Thermal
•Print Width	: 48 mm
•Dot per line	: 384
•Dot size	: 0.125 (X) * 0.130 (Y) mm (8 dots/mm)
•Dot pitch	: 0.125 mm (8 dots/mm)
•Head down movement	: By electromagnet
•Force on print-line	: 1.5-2.0 Kg
•Heat pulse life	: 1 x 10 <sup>8</sup> pulses
•Abrasion life	: 50 Km min

### TICKET SPECIFICATIONS

•Paper	: Thermal paper
•Length	: 85.60 mm
•Width	: 53.98 mm
•Thickness (cutting/validation)	: From 0.15 To 1 mm

### ENVIRONMENTAL

•Operating temperature	: From 0 to +50°C
•Storage temperature	: From -20 to +60°C
•Relative humidity	: From 20 to 80% (No condensation)