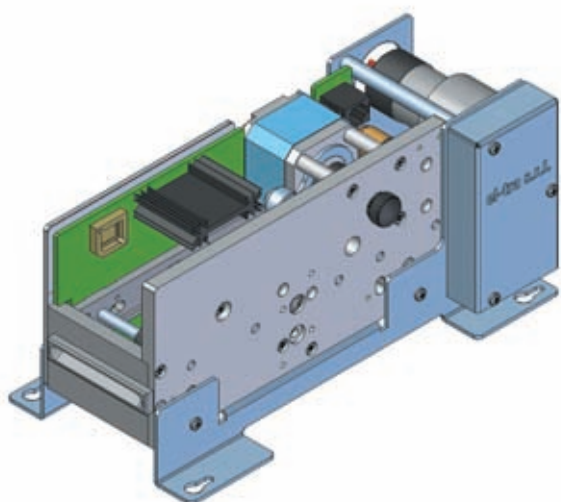




EL7000 SERIES Reader/encoder module with ticket shredder



MAIN FEATURES

- Side frame supporting ticket shredder and reader/encoder modules
- Ticket shredder made by crushing roll and geared DC motor
- Capability of processing rounded or bevelled ticket corner shape
- Punched holes or printed marks compatibility
- EL2000 reader/encoder module usage
- Communication by means of RS232/RS485 serial interface

TECHNICAL SPECIFICATIONS

OVERALL DESCRIPTION

- **Outline dimensions** : 110(H) x 250(L) x 120(W) mm
- **Weight** : 2,5 Kg (Approximately)
- **Electronics** : EL2000 PCB
- **Ticket motion** : Stepping motor
- **Transport method** : Belt and rolls
- **Ticket Sensors** : Photosensors
- **Shredder motion** : DC geared motor
- **Output interface** : RS232 / RS485
- **Power requirements** : +24V DC +/-10% 1,5A
+5V DC +/-5% 0,3A

ENVIRONMENTAL

- **Operating temperature** : From 0 to +50°C
- **Storage temperature** : From -20 to +60°C
- **Relative humidity** : From 20 to 80%
(No condensation)

TICKET SPECIFICATION

- **Length** : 85.60 to 120 mm
- **Width** : 53.98 mm
- **Thickness** : From 0.15 to 0.35 mm