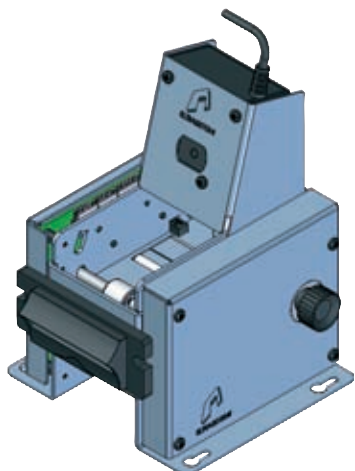




BTR – EL0000 SERIES - Barcode ticket reader



MAIN FEATURES

- Stepping motor and photosensors ticket positioning
- Easy BAR CODE scanner module replacement
- In line or transverse BAR CODE detection options
- Universal code symbologies process capability
- Contactless Card management based on Mifare® standard ISO/IEC-14443A&B + ISO-15693
- Microprocessor based electronics
- SMD low consumption electronic circuits
- Communication by means of RS232/RS485 serial interface

TECHNICAL SPECIFICATIONS

OVERALL DESCRIPTION

- **Outline dimensions** : 140(H) x 115(L) x 124(W) mm
- **Weight** : 1 Kg (Approximately)
- **Electronics** : Specific PCB
- **Ticket motion** : Stepping motor
- **Transport method** : Rolls
- **Ticket Sensors** : Photosensors
- **Output interface** : RS232 / RS485
- **Power requirements** : +24V DC +/-10% 10A

ENVIRONMENTAL

- **Operating temperature** : From 0 to +50°C
- **Storage temperature** : From -20 to +60°C
- **Relative humidity** : From 20 to 80%
(No condensation)

TICKET SPECIFICATIONS

- **Paper** : Thermal paper
- **Length** : 85.60 mm
- **Width** : 53.98 mm
- **Thickness** : From 0.15 to 1 mm