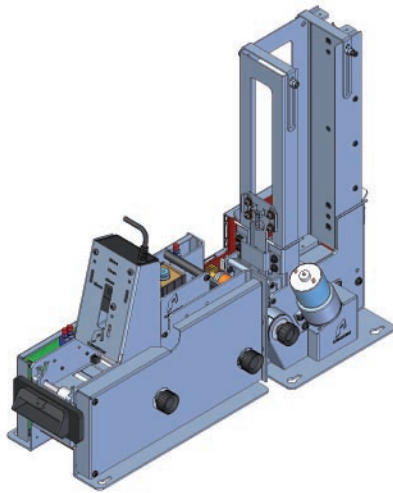




CDU – ELS20000 SERIES Card dispenser unit w/thermal printer



MAIN FEATURES

- Side frame supporting cartridge and thermal printer modules
- Removable cartridge
- Stepping motor and photosensors ticket positioning
- Contactless Card Management based on Mifare Standard ISO/IEC 14443 A/B + ISO15693
- Easy BARCODE scanner module replacement
- Easy card loading and maintenance
- Error card capture function
- Ticket validation capability
- Magnetic tracks management (optionally)
- Microprocessor based electronics
- SMD low consumption electronic circuits
- Communication by means of RS232/RS485 serial interface or USB

TECHNICAL SPECIFICATIONS

OVERALL DESCRIPTION

•Outline dimensions	: 320(H) x 395(L) x 155(W) mm
•Cartridge	: 240(H) - 300 Cards x 0.80 mm
•Weight	: 4.5 Kg (Approximately)
•Electronics	: Specific PCB
•Stacker capacity	: 300/600/900 pcs
•Ticket motion	: Stepping motor
•Transport method	: Rolls
•Ticket Sensors	: Photosensors
•Barcode scanner	: CCD/ Laser or 1D/2D Image
•Output interface	: RS232 / RS485 / USB
•Power requirements	: +24V DC +/-10% 10A

THERMAL PRINTER

•Printing method	: Thermal
•Print Width	: 48 mm
•Dot per line	: 384
•Dot size	: 0.125 (X) * 0.130 (Y) mm (8 dots/mm)
•Dot pitch	: 0.125 mm (8 dots/mm)
•Head down movement	: By electromagnet
•Force on print-line	: 1.5-2.0 Kg
•Heat pulse life	: 1×10^8 pulses
•Abrasion life	: 50 Km min

CARD/TICKET SPECIFICATIONS

•Paper	: Thermal paper
•Length	: 85.60 mm
•Width	: 53.98 mm
•Thickness	: From 0.30 to 1.00 mm

ENVIRONMENTAL

•Operating temperature	: From 0 to +50°C
•Storage temperature	: From -20 to +60°C
•Relative humidity	: From 20 to 80% (No condensation)