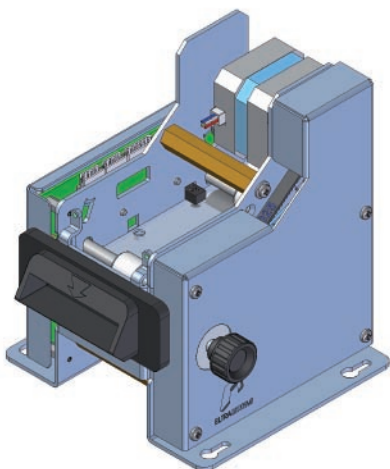




BTRS – EL0000 SERIES - Barcode ticket reader special



MAIN FEATURES

- Stepping motor and photosensors ticket positioning
- Easy BARCODE scanner module replacement
- In line or transverse BAR CODE detection options
- Universal code symbologies process capability
- Contactless Card management based on Mifare Standard ISO/IEC 14443 A/B + ISO15693
- Double 1-2-3 or double central track bi-directional reader
- One pass Reading accuracy
- Conforming to Standard ISO 7810, 7813
- Microprocessor based electronics
- SMD low consumption electronic circuits
- Communication by means of RS232/RS485 serial interface

TECHNICAL SPECIFICATIONS

OVERALL DESCRIPTION

- Outline dimensions : 140(H) x 115(L) x 124(W) mm
- Weight : 1 Kg (Approximately)
- Electronics : Specific PCB
- Ticket motion : Stepping motor
- Transport method : Rolls
- Ticket Sensors : Photosensors
- Output interface : RS232 / RS485
- Power requirements : +24V DC +/-10% 3A

ENVIRONMENTAL

- Operating temperature : From 0 to +50°C
- Storage temperature : From -20 to +60°C
- Relative humidity : From 20 to 80%
(No condensation)

CARD/TICKET SPECIFICATIONS

- Length : 85.60 mm
- Width : 53.98 mm
- Thickness : From 0.15 to 0.80 mm